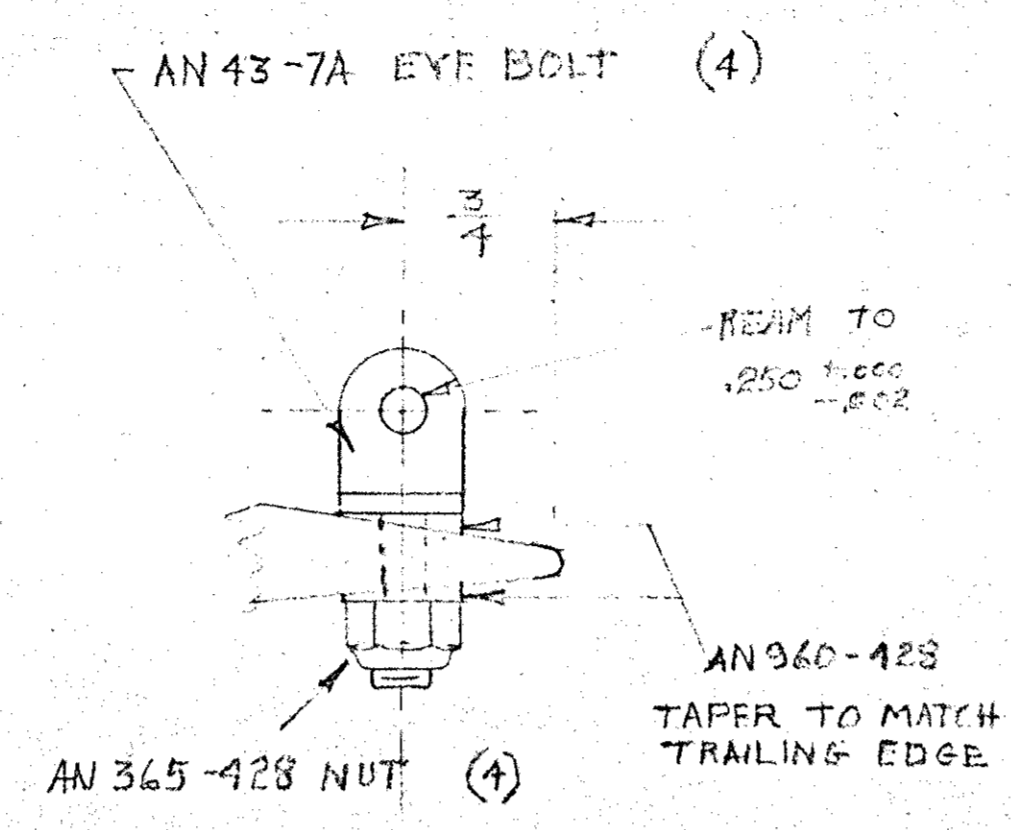
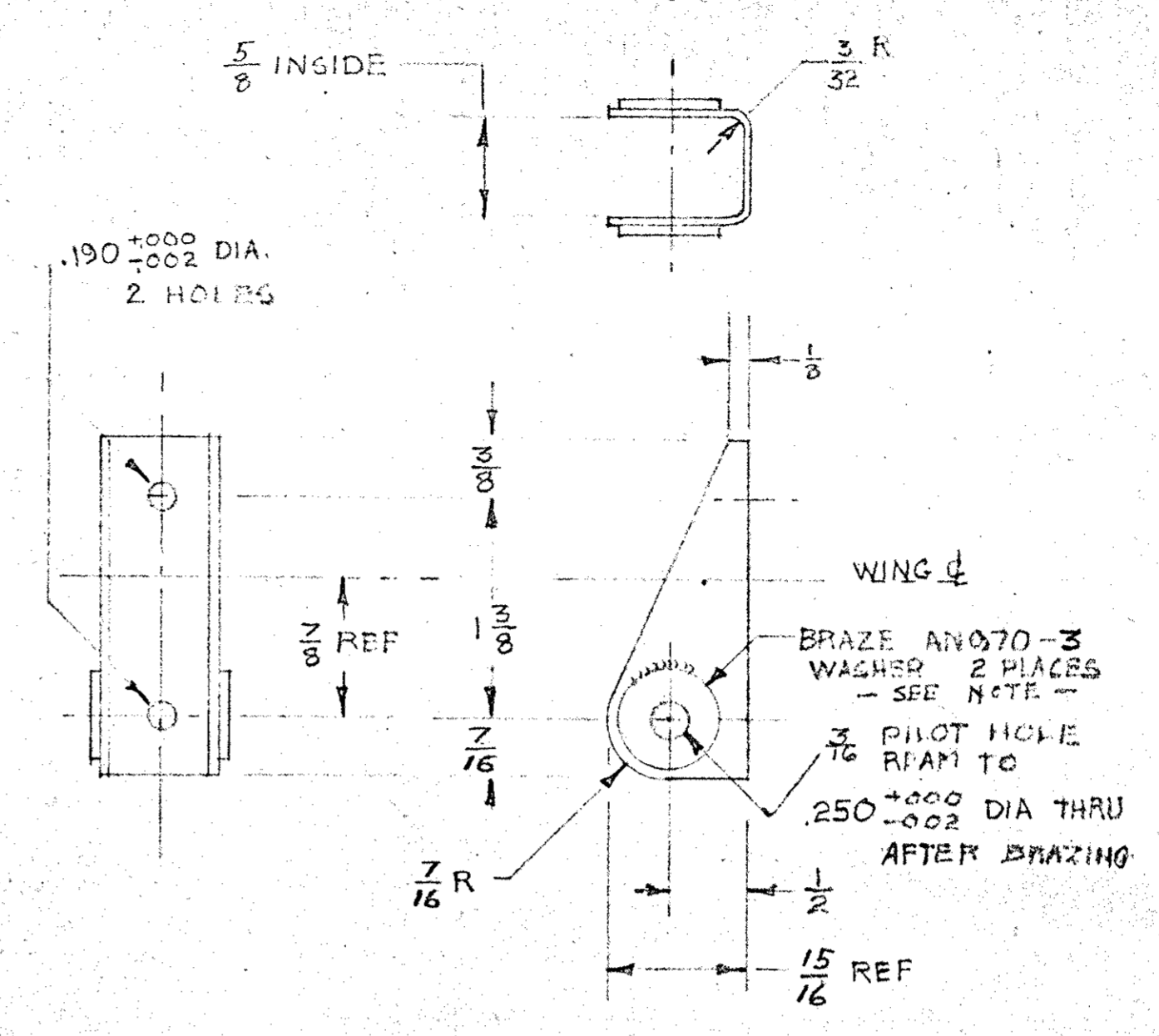


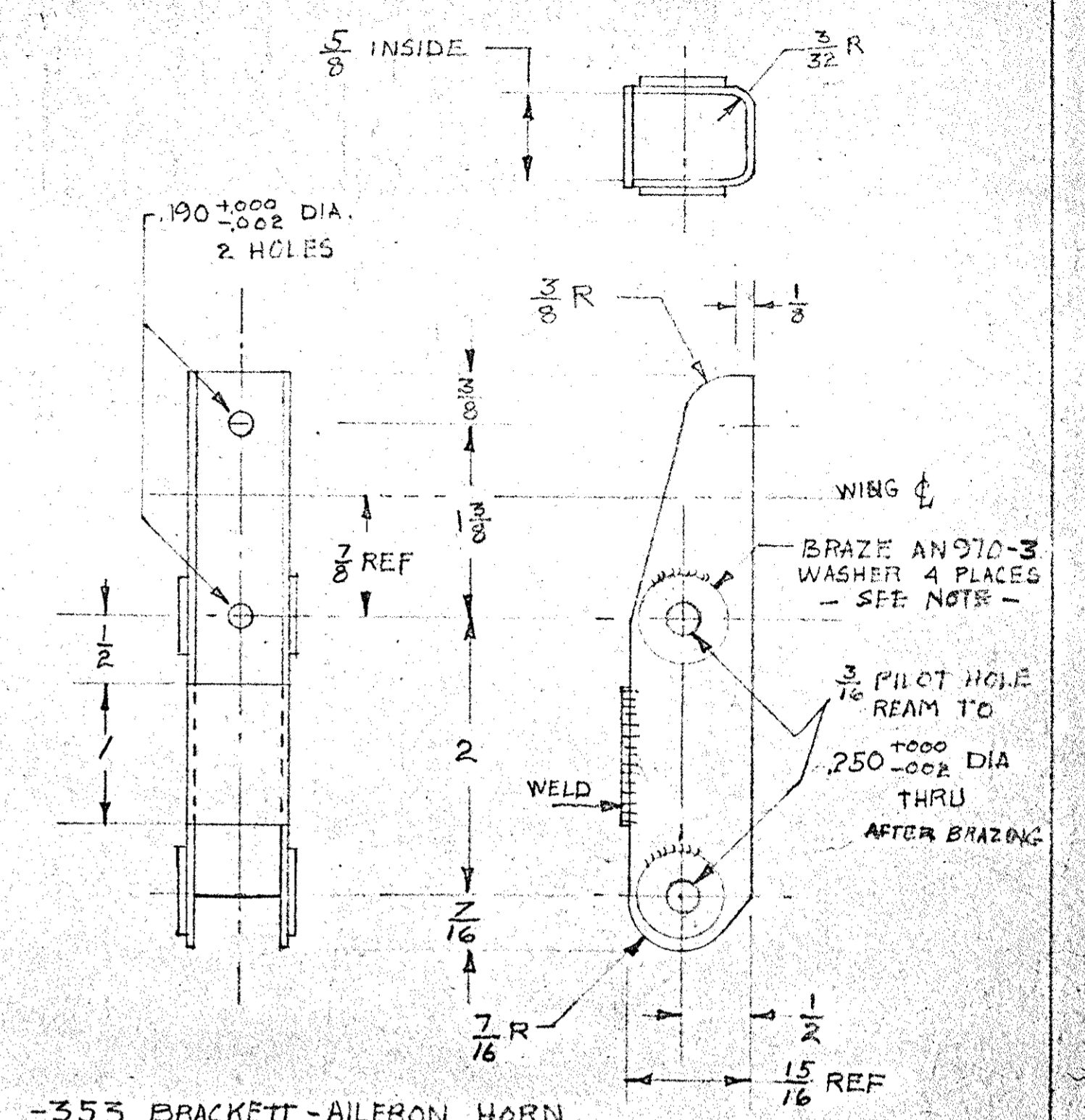
-351 BRACE - AILERON LINK
MATL = SEE ABOVE.
MAKE 4



SECT. B-B
INSTALLATION FOR
LOWER AIL. SHOWN
INVERT FOR UPPER
- INSTAL AFTER COVER -

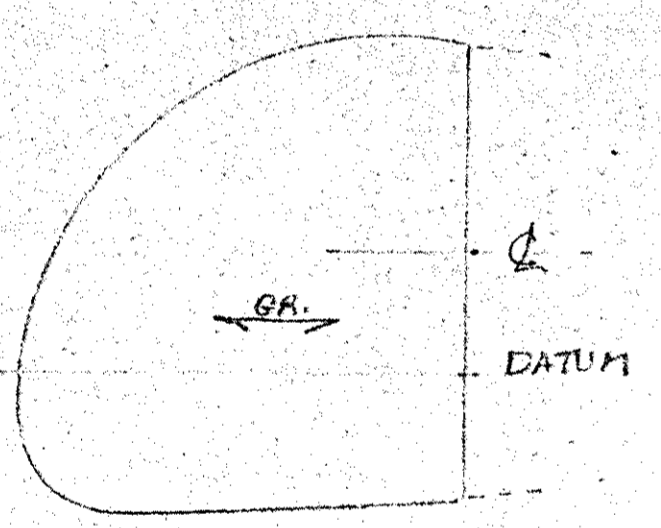


-352 BRACKET - AILERON HINGE
MATL = .049 4130 STEEL
MAKE 10

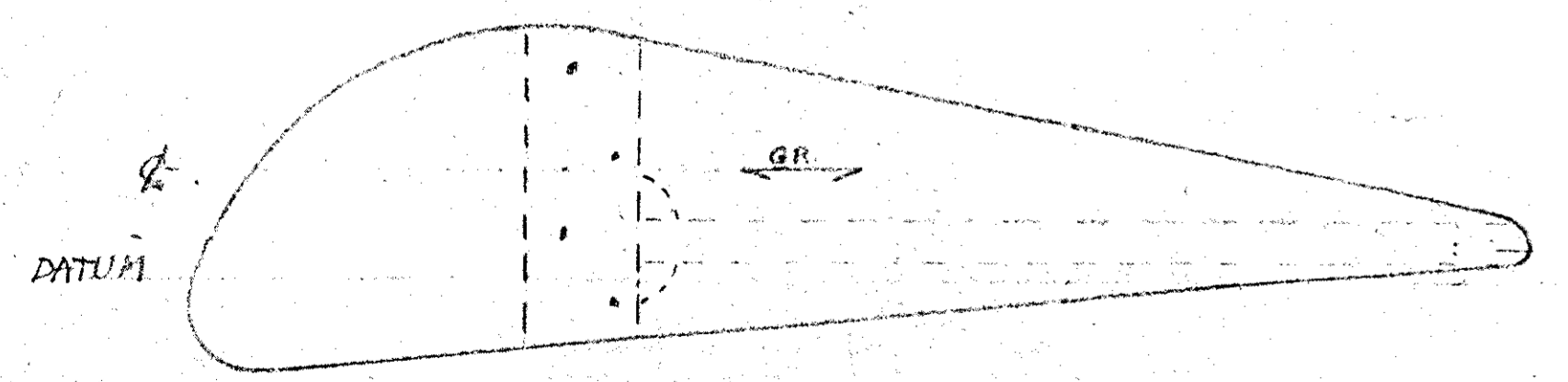


-353 BRACKET - AILERON HORN
MATL = .049 4130 STEEL
MAKE 2

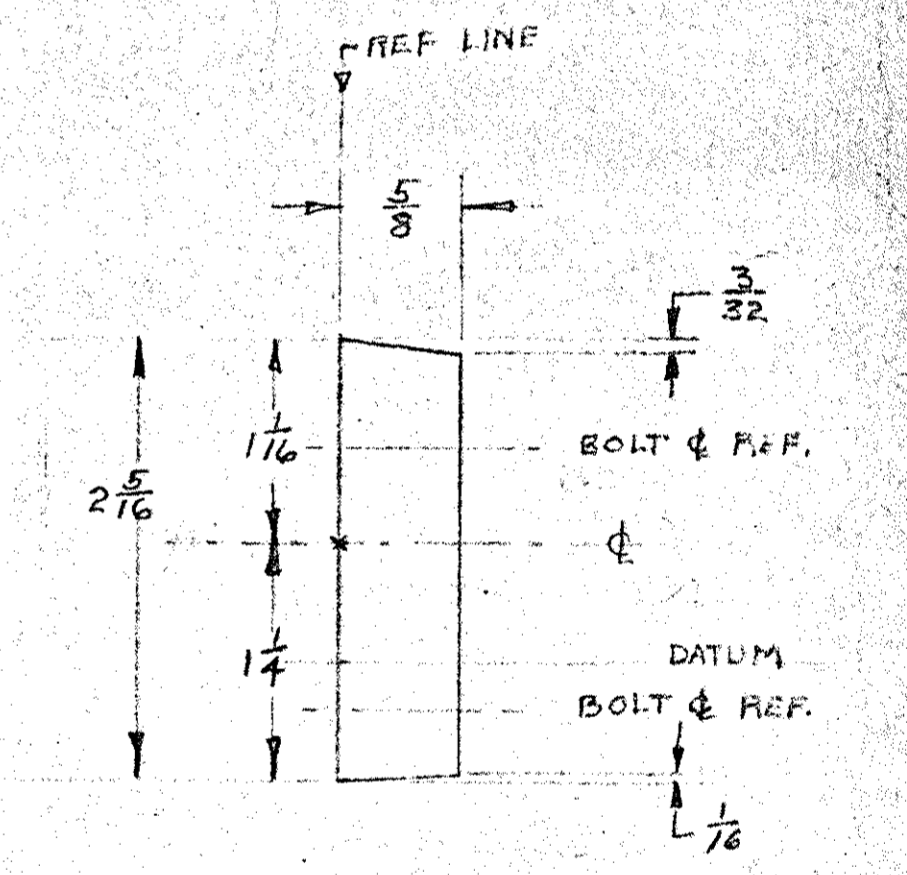
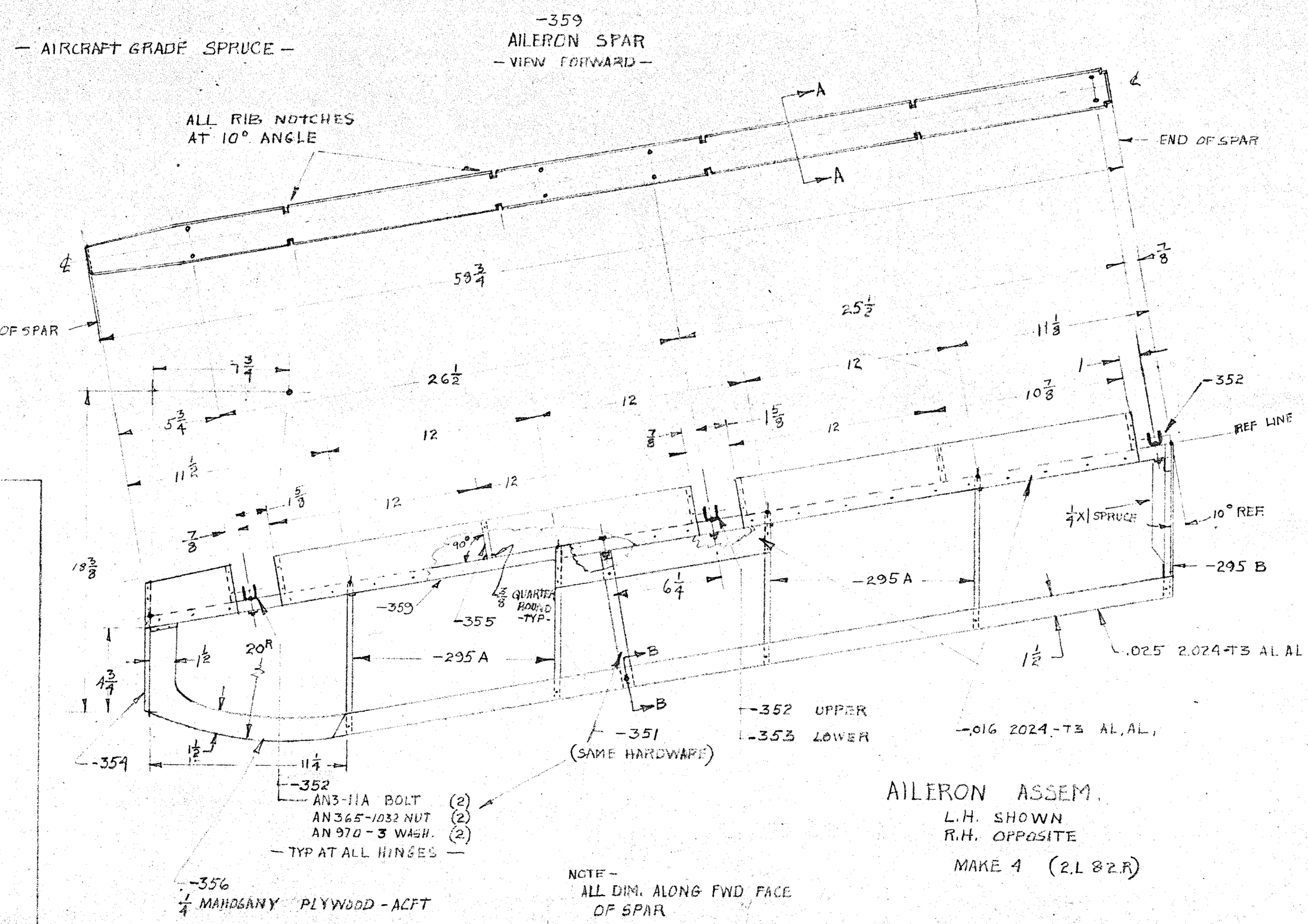
NOTE - REMOVE CAD. PLATE BY TORCH - CAUTION - FUMES ARE TOXIC.



-355 FORMER - AILERON L.E.
MATL = 1/4 MAHOGANY ACFT PLYWOOD
MAKE 28
(TRACE THIS VIEW FOR PATTERN)



-354 RIB - AILERON TIP
MATL = 1/4 MAHOGANY ACFT PLYWOOD
MAKE 4
(TRACE THIS VIEW FOR PATTERN)



SECT A-A

AILERON ASSEM.
L.H. SHOWN
R.H. OPPOSITE
MAKE 4 (2 L 82 R)

| | | | |
|-----------------------|------|---|------------------|
| MARGUART MA-5 | | ED MARGUART PO BOX 5032 RIVERSIDE, CALI. 92509 | |
| "Charger" | | | |
| DRN. | 5/22 | 8-66 | |
| CHK. | 5/22 | 1-70 | |
| REV. | 4/24 | 6-71 | |
| TR. | 5/22 | 1-72 | |
| PRINT SER. NO. - 0236 | | SCALE - 3" = 1' & FULL | SHEET - 11 OF 61 |